

TECHNICAL SPECIFICATION

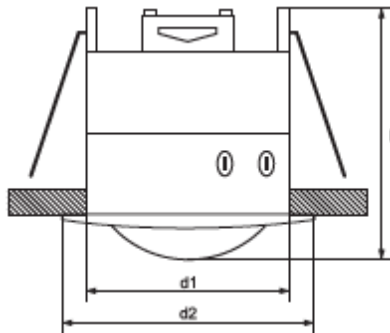
PIR Motion Sensor ST41



Technical data

- Nominal voltage: 230V / 50Hz
- Detection range: 360°
- Detection Distance: max.6m
- Nominal load: IL - 1200W / ESL - 300W
- Colour of the housing: white
- Time Delay: from 10sec to 7min – adjustable
- Ambient light: <3 ÷ 2000lux – adjustable
- Installation height: from 2,20m ÷ 4m
- Detection motion speed: 0,6-1,5m/s
- Protection against dust and moisture: IP20
- Surface requirements: Class F

Variants and dimensions



Type	Detection range	Rated load	Detection distance	Colour body	Size (mm)			Catalogue number	Packing (pcs)
					L	d1	d2		
ST41	360°	ESL-300W IL-1200W	max.6m	white	75.6	61.5	76	99DS103	50

Barcodes

Barcode	Catalogue number
3800131177186	99DS103

Standards

EN 55015

EN 61000-3-2; EN 61000-3-3

61547

EN 60669-1

EN 60669-2-1

